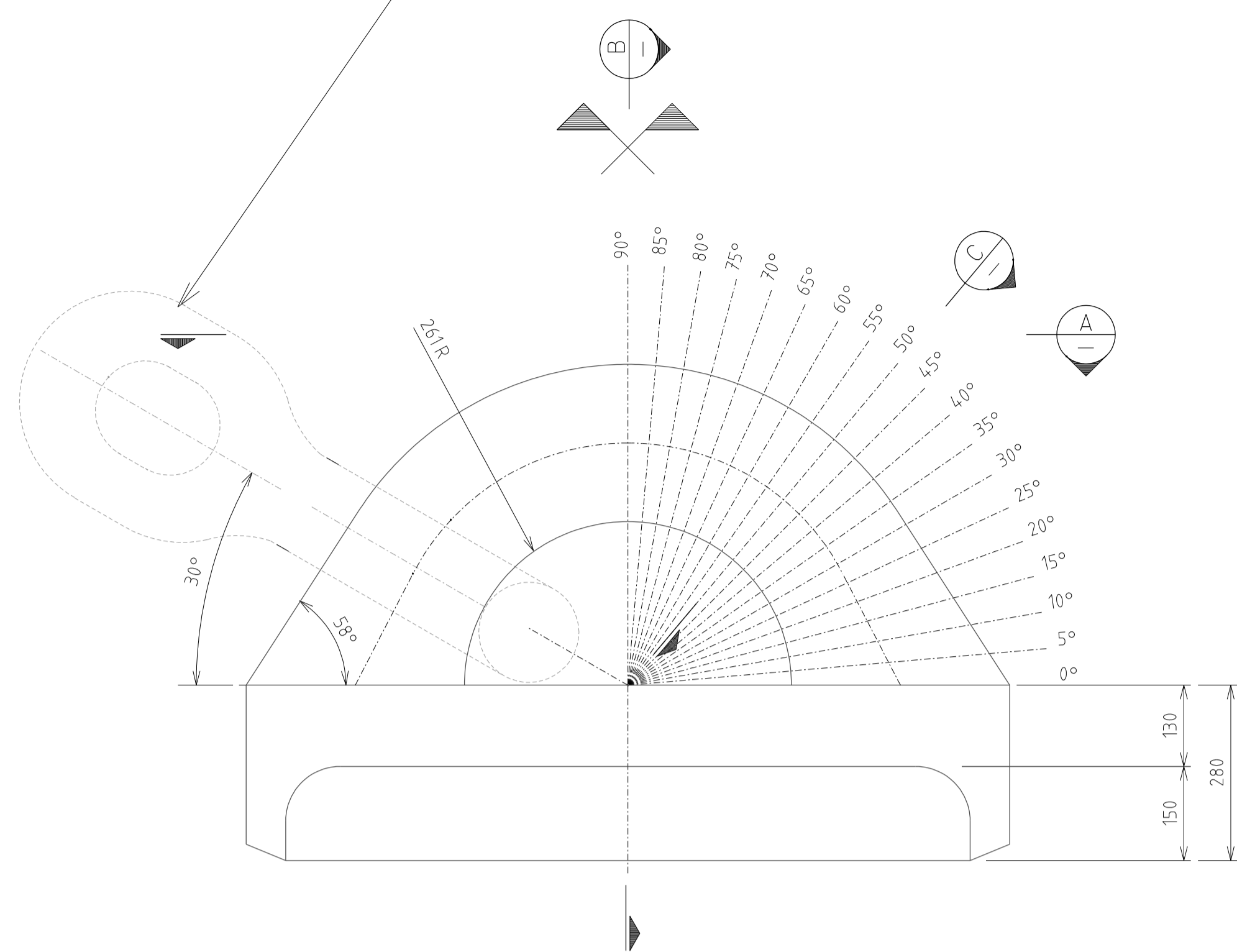
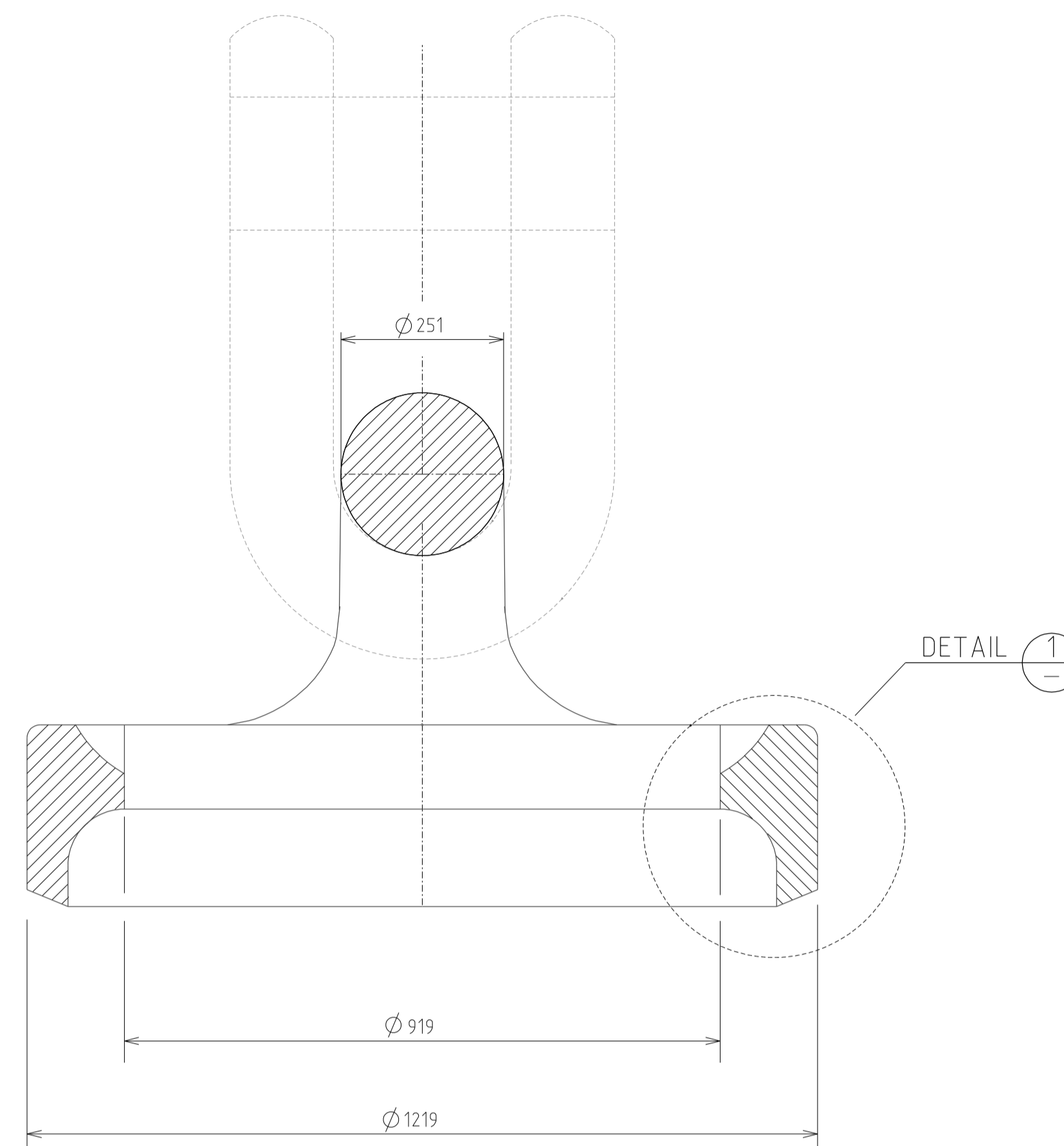


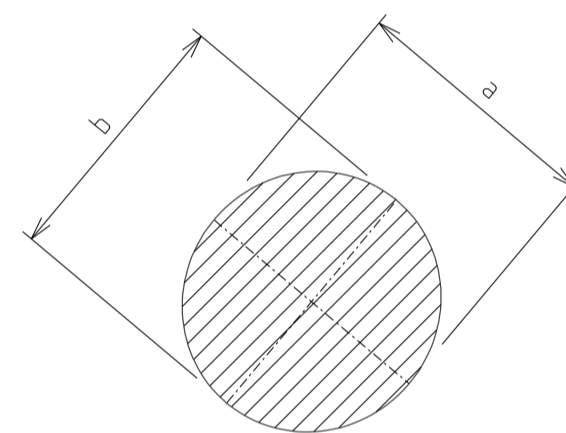
ANCHOR SHACKLE TYPE-ISO STANDARD Ø 114 OR Ø 120



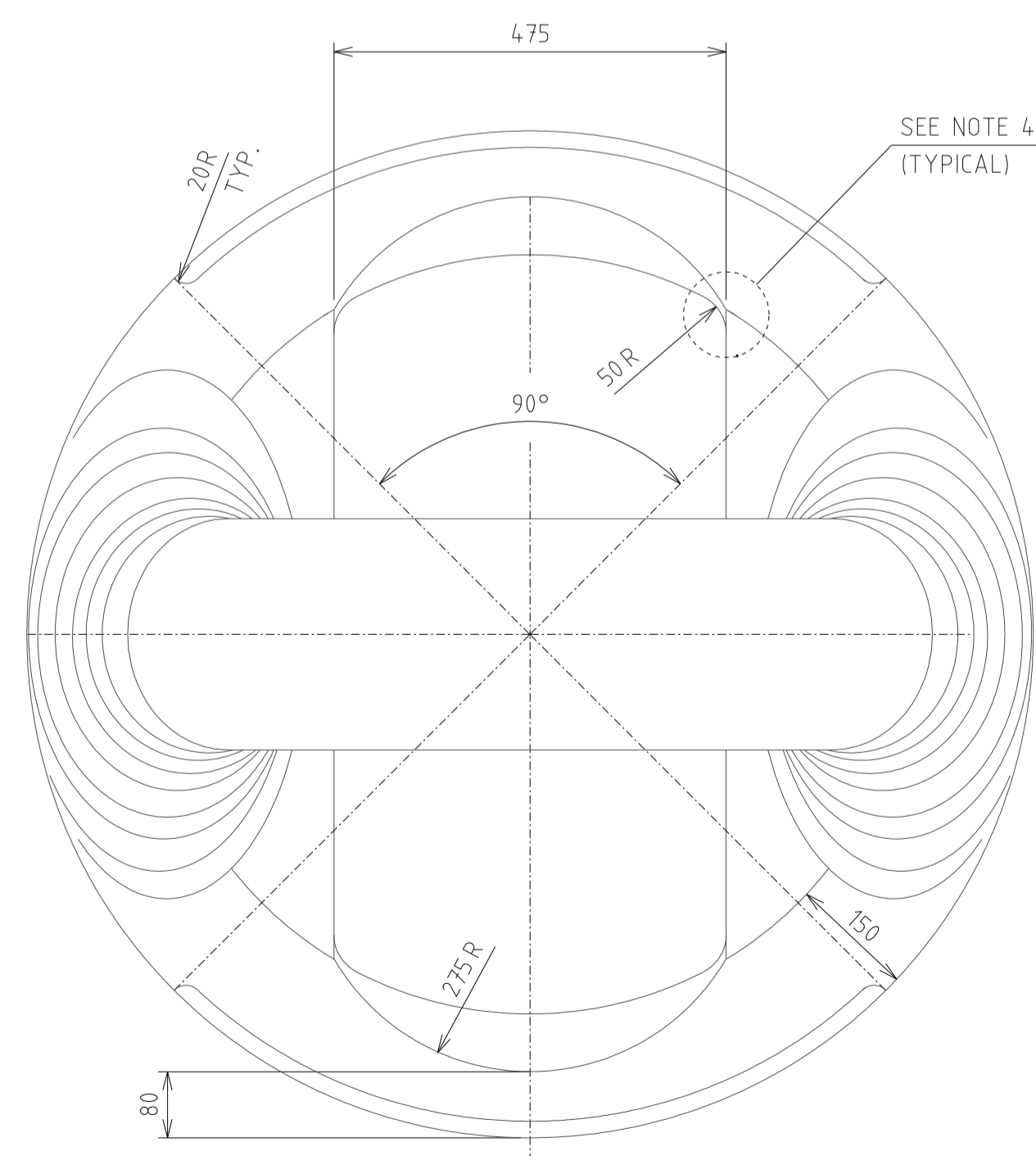
CAST STEEL PADEYES  
SC 1:7.5



SECTION B  
SC 1:7.5

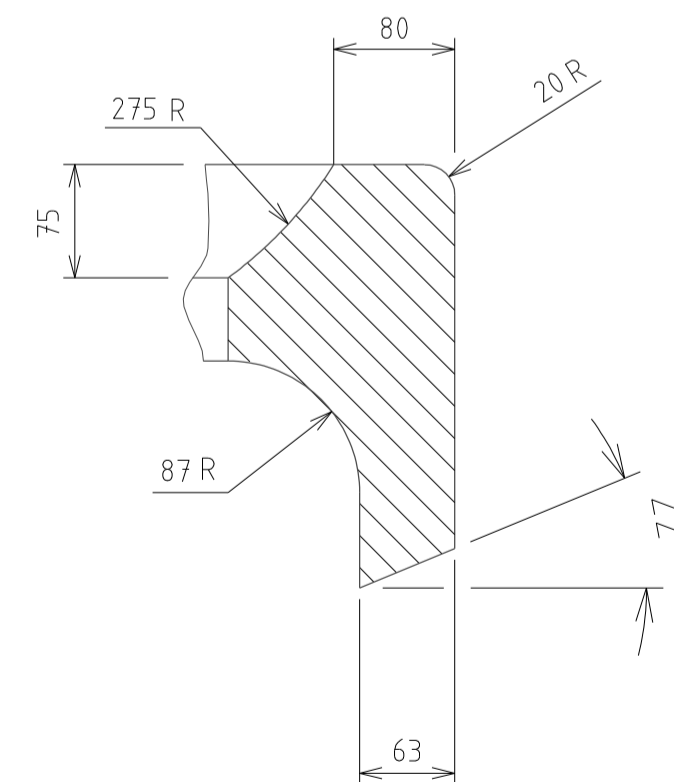


SECTION C  
(TYPICAL)  
SC 1:7.5



VIEW A  
SC 1:7.5

	a	b
0°	600	349
5°	427	322
10°	356	302
15°	312	287
20°	283	276
25°	265	269
30°	254	266
35°	254	266
40°	254	265
45°	253	264
50°	253	262
55°	253	261
60°	252	259
65°	252	258
70°	252	257
75°	252	255
80°	251	254
85°	251	252
90°	251	251



DETAIL 1  
SC 1:5

REFERENCE DOCUMENTS

GENERAL NOTES

- 1- ALL DIMENSIONS ARE SHOWN IN MILLIMETERS EXCEPT WHERE NOTED.
- 2- CAST STEEL PADEYE MATERIAL : ASTM A148/105-85 IMPACT REQUIREMENT CHARPY V-NOTCH 34 J-30° C.
- 3- CAST STEEL PADEYES SHALL BE INSPECTED AS FOLLOWS:
  - 100% ULTRASONIC
  - 100% MAGNETIC PARTICLE.
- 4- THE SHARP EDGES SHALL BE ROUNDED WITH A FILLET OF AT LEAST 50 mm.

REV.	DESCRIPTION	DATE	EXSC.	CHECK	APPROV.
C	FOR CONSTRUCTION	30/NOV/02	KENUPP	GLAUCO	ELISABETH
B	REVISED WHERE NOTED	29/JAN/00	KENUPP	JVOLTOAG	DF
A	GENERAL REVISION	26/OCT/09	KENUPP	DSCHIMDT	ELISABETH
O	ORIGINAL	15/JUL/09	KENUPP	RACHEL	ELISABETH

THE DATA OR PART THEREOF ARE PETROBRAS PROPERTY AND THUS MUST NOT BE USED IN ANY WAY WITHOUT PERMISSION

MICROSTATION/J/1-DE-3000.00-1357-962-PPC-005.C.DGN

**BR** PETRÓLEO BRASILEIRO S.A. **PETROBRAS** CENPES

CLIENT OR USER  
E & P

JOB OR PROJECT  
FLOATING PRODUCTION UNITS

AREA OR UNIT

TITLE  
TORPEDO PILE  
T-120 PIB  
CAST STEEL PADEYES

DESIGN	CENPES	DRAWN	KENUPP	CHECK	RACHEL	APPROVAL	ELISABETH
SCALE	INDICATED	SIZE	A1: 841x594	CC		SHEET	1 de 1
DATE	15/JUL/09	NO.	1-DE-3000.00-1357-962-PPC-005				