

DOCUMENTS OF REFERENCE

- [1] SPREAD MOORING RISER SYSTEM REQUIREMENTS (*)
- [2] SST-P4242018 - GENESIS OIL & GAS BRASIL ENGENHARIA LTDA (CONTRATO 5125.0108113.18.2).

(*) PROJECT REFERENCE NUMBER TO BE ISSUED DURING EPCI BID PHASE. DEFINITION OF THE RISER TOP CONNECTOR (FLEXIBLE RISER ADAPTOR, FLEXIBLE JOINT OR STRESS JOINT) SELECTED FOR A SPECIFIC PROJECT WITHIN PROJECT DOCUMENTATION.

GENERAL NOTES

- 1 - THE DEFINITION OF THE EXTERNAL DIAMETER \ PROFILE IS WITHIN MANUFACTURER SCOPE OF WORK, BASED ON CALCULATED RISER TOP LOADS.
- 2 - OPTIONAL GROOVE FOR FLEXIBLE RISER ADAPTER, IF SPECIFIED IN REF [1].
- 3 - DIMENSIONS IN PARENTHESIS ARE REFERENCE MIN./MAX. VALUES. DEVIATION FROM THESE LIMITS SHALL BE AGREED WITH PETROBRAS.
- 4 - ALL MEASURES IN MILLIMETER, EXCEPT WHERE INDICATED OTHERWISE.
- 5 - MEASUREMENTS OF FINISHED SURFACE, AFTER COATING APPLICATION.
- 6 - APPLY COATING ON ALL INTERNAL SURFACES AS PER I-ET-3510.01-1200-956-PPC-004.
- 7 - TOLERANCES WHERE NOT INDICATED:
 Xmm ± 1.0mm; X° ± 0,5°
 X.Xmm ± 0.5mm; X.X° ± 0.25°
- 8 - LATERAL GUIDE PLATES/BARS AND TOP GUIDE CONE (NOT SHOWN) AS PER REF [1].
- 9 - THIS DOCUMENT SUPERSEDES AND REPLACES DOCUMENT I-DE-0000.00-0000-140-P9U-002=0.

A	GENERAL REVIEW	10/05/19	M.DIAS	E.LIMA	E.OLIVEIRA
0	ORIGINAL	05/12/17	EE93	TS8H	CLZ2
REV.	DESCRIPTION	DATE	EXEC.	CHECK	APPROV.

THE INFORMATION CONTAINED IN THIS DOCUMENT IS PETROBRAS PROPERTY AND MAY NOT BE USED FOR PURPOSES OTHER THAN THOSE SPECIFICALLY INDICATED HEREIN. FORM BELONGING TO THE NORM PETROBRAS N-381 REV. L.

Microstation V8i/SS3 EDITION - I-DE-0000.00-0000-140-P9U-002=A.dgn

THE IMPRESSION OR REPRODUCTION OF THIS DOCUMENT TURN THE COPY NO CONTROLLED. TO VERIFY HIS UPDATING BEFORE USING HER.



DP&T

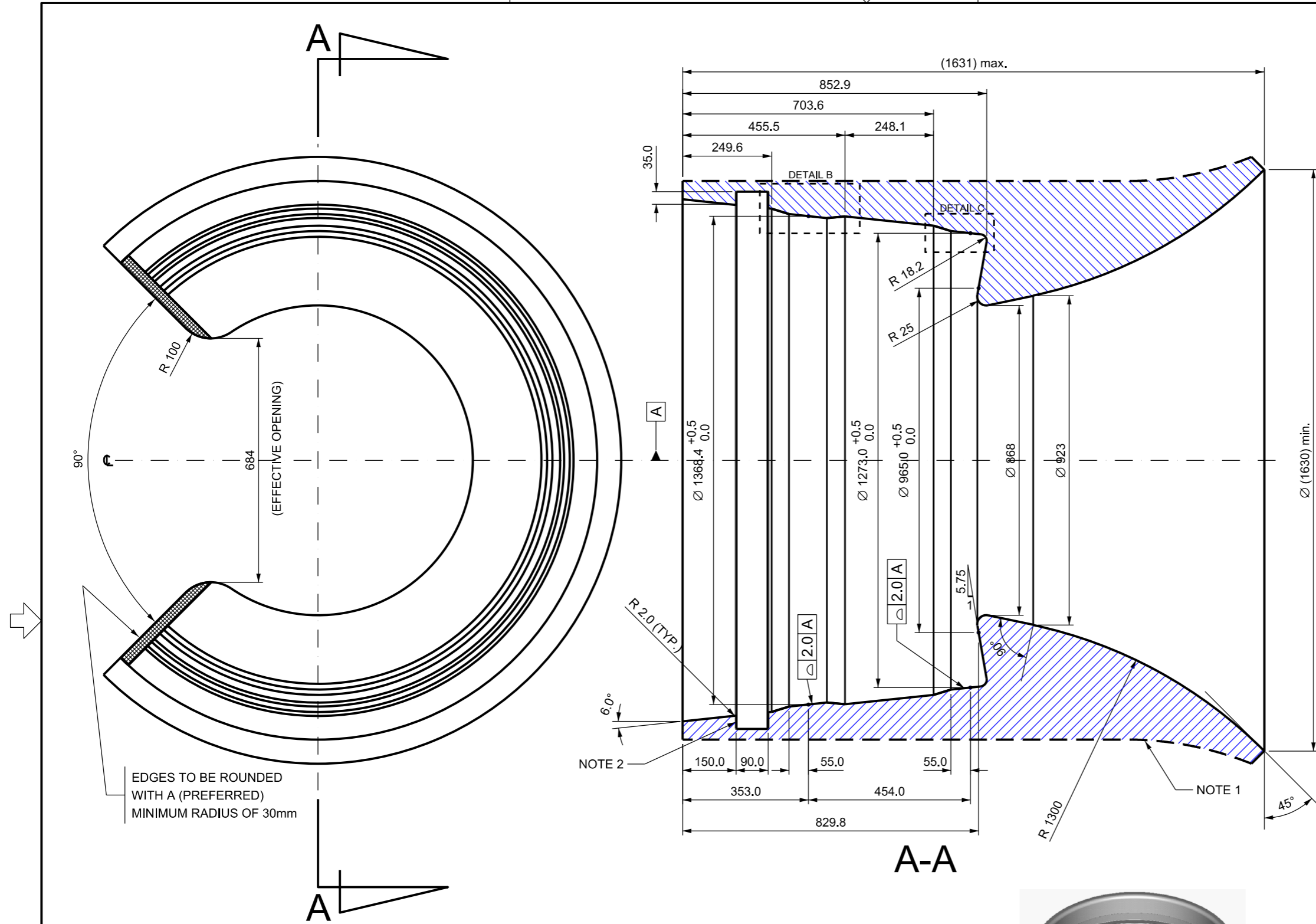
CLIENT: E&P
 JOB: STANDARDIZATION
 AREA: DP&T-SUB

TITLE: CONICAL RECEPTACLE "TYPE B"

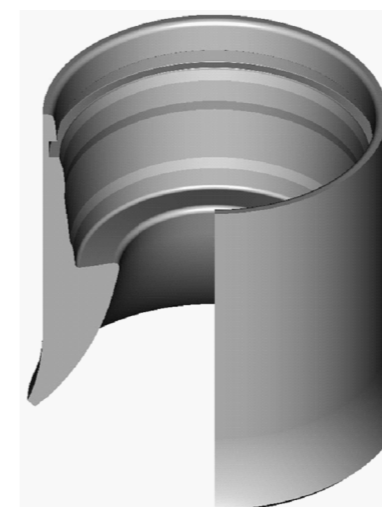
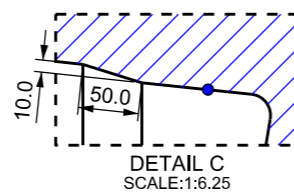
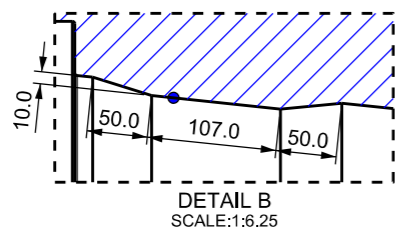
DESIGN: EDR	EXEC: EE93	CHECK: TS8H
APPROV: CLZ2	CAT: DRAWING	COD: -
DATE: 05/12/2017	SCALE: 1:12.5	SHEET: 1 OF 1

MANAGER: SUB/ES/EISE/EDR

Nº: I-DE-0000.00-0000-140-P9U-002



EDGES TO BE ROUNDED WITH A (PREFERRED) MINIMUM RADIUS OF 30mm



ISOMETRIC VIEW W/O SCALE